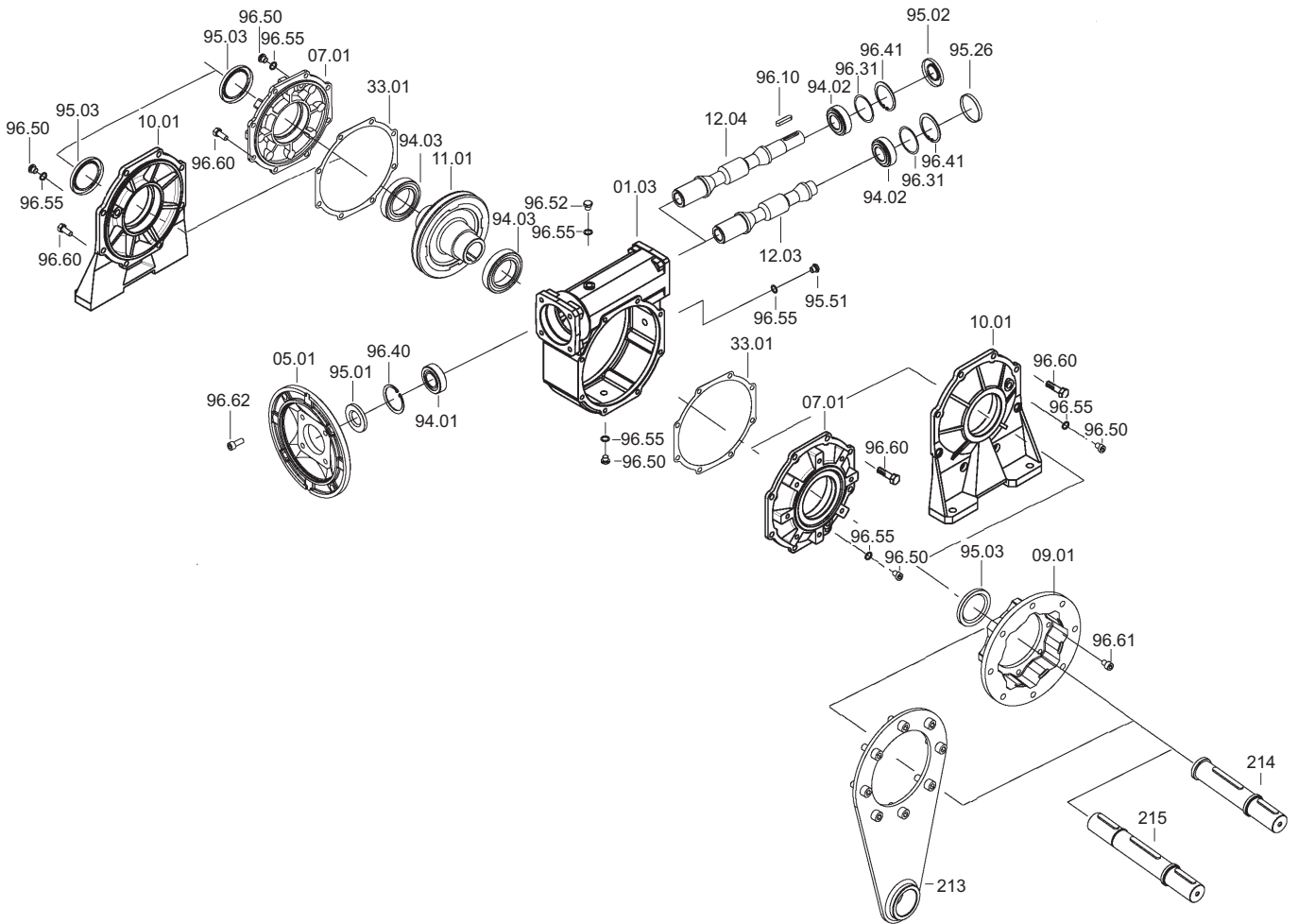


KC



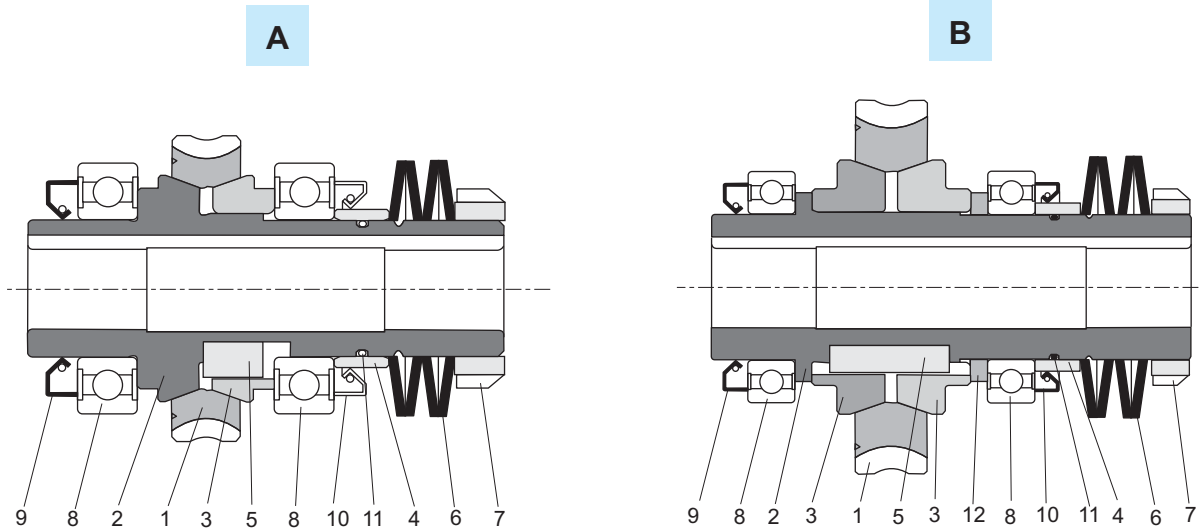
KC	IEC	Cuscinetti / Bearings / Lager			Anelli di tenuta / Oilseals / Öldichtungen			Cappellotto / Closed oil seal / Geschlossene Öldichtung
		94.01	94.02	94.03	95.01	95.02	95.03	95.26
30	56	61804 (20x32x7)	6000	6005	20/32/7	10/26/7	25/40/7	ø 26x7
	63	61804 (20x32x7)	10x26x8	25x47x12	20/32/7			
40	56	6303 (17x47x14)	6201 12x32x10	6006 30x55x13	17/47/7	12/32/7	30/47/7	ø 32x7
	63	6204 (20x47x14)			20/47/7			
	71	6005 (25x47x12)			25/47/7			
50	63	6204 (20x47x14)	6203 17x40x12	6008 40x68x15	20/47/7	17/40/7	40/62/8	ø 40x7
	71	6005 (25x47x12)			25/47/7			
	80	6006 (30x55x13)			30/55/7			
63	71	30305 (25x62x18.25)	30204 20x47x15.25	6008 40x68x15	25/62/7	20/47/7	40/62/8	ø 47x7
	80	30206 (30x62x17.25)			30/62/7			
	90	32007 (35x62x18)			35/62/7			
75	80	30206 (30x62x17.25)	30205 25x52x16.25	6010 50x80x16	30/62/7	25/52/7	50/72/8	ø 52x7
	90	32007 (35x62x18)			35/62/7			
	100/112	32008 (40x68x19)			40/68/10			
90	80	30206 (30x62x17.25)	32205B 25x52x19.25	6010 50x80x16	30/62/7	25/52/7	50/72/8	ø 52x7
	90	32007 (35x62x18)			35/62/7			
	100/112	32008 (40x68x19)			40/68/10			
110	90	30208 (40x80x19.75)	32206B 30x62x21.25	6012 60x95x18	40/80/10	30/62/7	60/85/8	ø 62x7
	100/112	30208 (40x80x19.75)			40/80/10			
	132	32010 (50x80x20)			50/80/10			

X - H - K - KX - XX - KK

Limitatore di coppia cavo passante

Torque limiter with through hollow shaft

Drehmomentbegrenzer mit durchgehende Hohlwelle



A			B			
X - H - K						
30 (LD - LS)	40 (LD - LS)	50 (LD - LS)	63 (LD - LS)	75 (LD - LS)	90 (LD - LS)	110 (LD - LS)
KX - XX - KK						
30/30 (L1-LD-LS) 30/40 (L1) 30/50 (L1) 30/63 (L1)	30/40 (LD - LS) 40/63 (L1) 40/75 (L1) 40/90 (L1)	30/50 (LD - LS) 50/75 (L1) 50/90 (L1) 50/110 (L1)	30/63 (LD - LS) 40/63 (LD - LS) 63/110 (L1)	40/75 (LD - LS) 50/75 (LD - LS)	40/90 (LD - LS) 50/90 (LD - LS)	50/110 (LD - LS) 63/110 (LD - LS)

1	Corona in bronzo / <i>Bronze wheel</i> / Bronzerad /					
2	Albero cavo limitatore / <i>Hollow shaft torque limiter</i> / Rutschkupplungs-Hohlwelle					
3	Anello di frizione / <i>Friction ring</i> / Reibring					
4	Distanziale molle / <i>Washers' distance ring</i> / Federdistanzring					
5	Linguetta / <i>key</i> / Passfeder					
	8x7x10AB	10x8x13AB	12x8x18AB	12x8x40A	16x10x40A	16x10x50A 18x11x60A
6	Molle a tazza / <i>Belleville washers</i> / Tellerfeder					
7	Ghiera / <i>Metal ring</i> / Metall Ring					
8	6005 25x47x12	6006 30x55x13	6008 40x68x15	6008 40x68x15	6010 50x80x16	6010 50x80x16 6012 60x95x18
9	25x40x7	30x47x7	40x62x8	40x62x8	50x72x8	50x72x8 60x85x8
10	30x40x5	35x47x7	48x62x8	48x62x8	58x72x8	58x72x8 70x85x8
11	OR2087 21.95x1.78	OR2106 26.7x1.78	OR 36.27x1.78	OR 36.27x1.78	OR2187 47.37x1.78	OR2187 47.37x1.78 OR2225 56.87x1.78
12	—			Distanziale / <i>Spacer</i> / Abstandshülse		