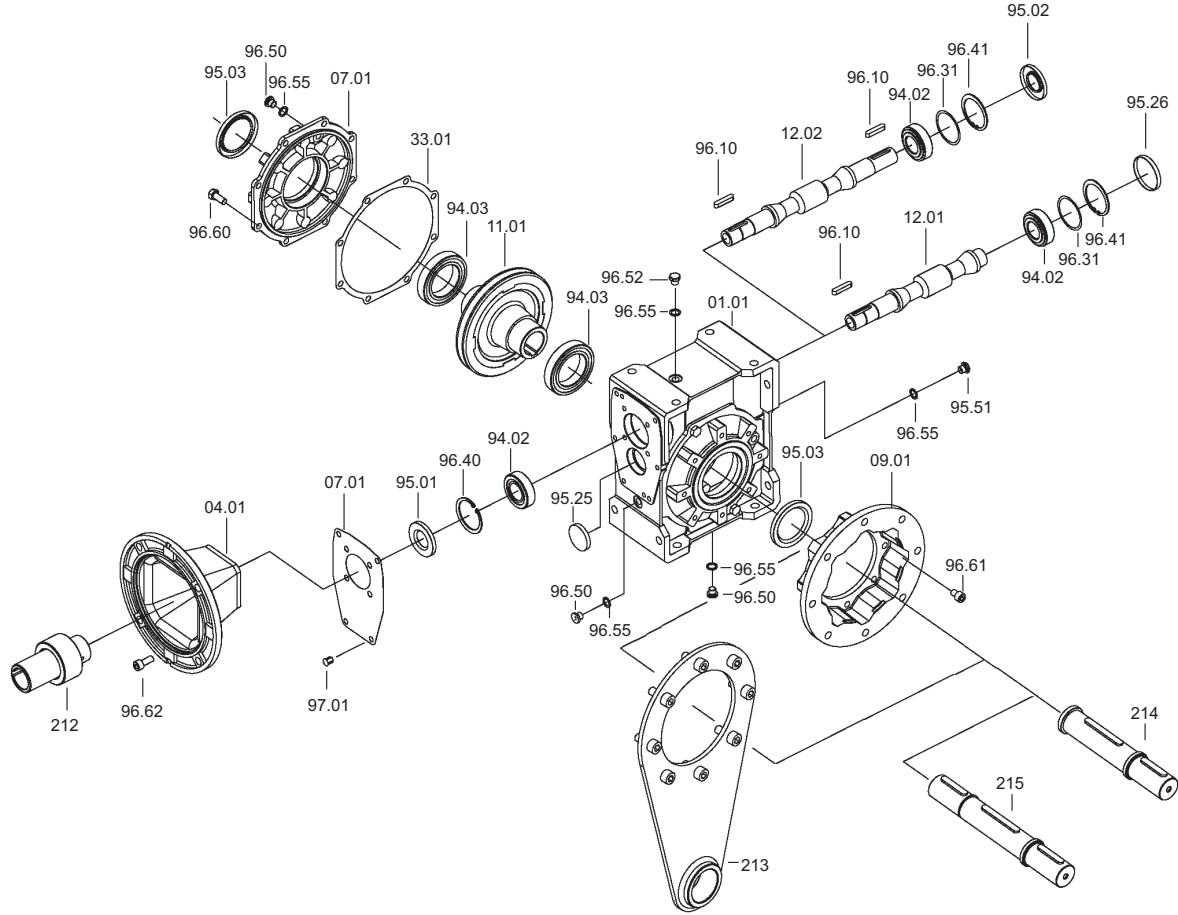
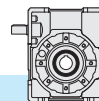


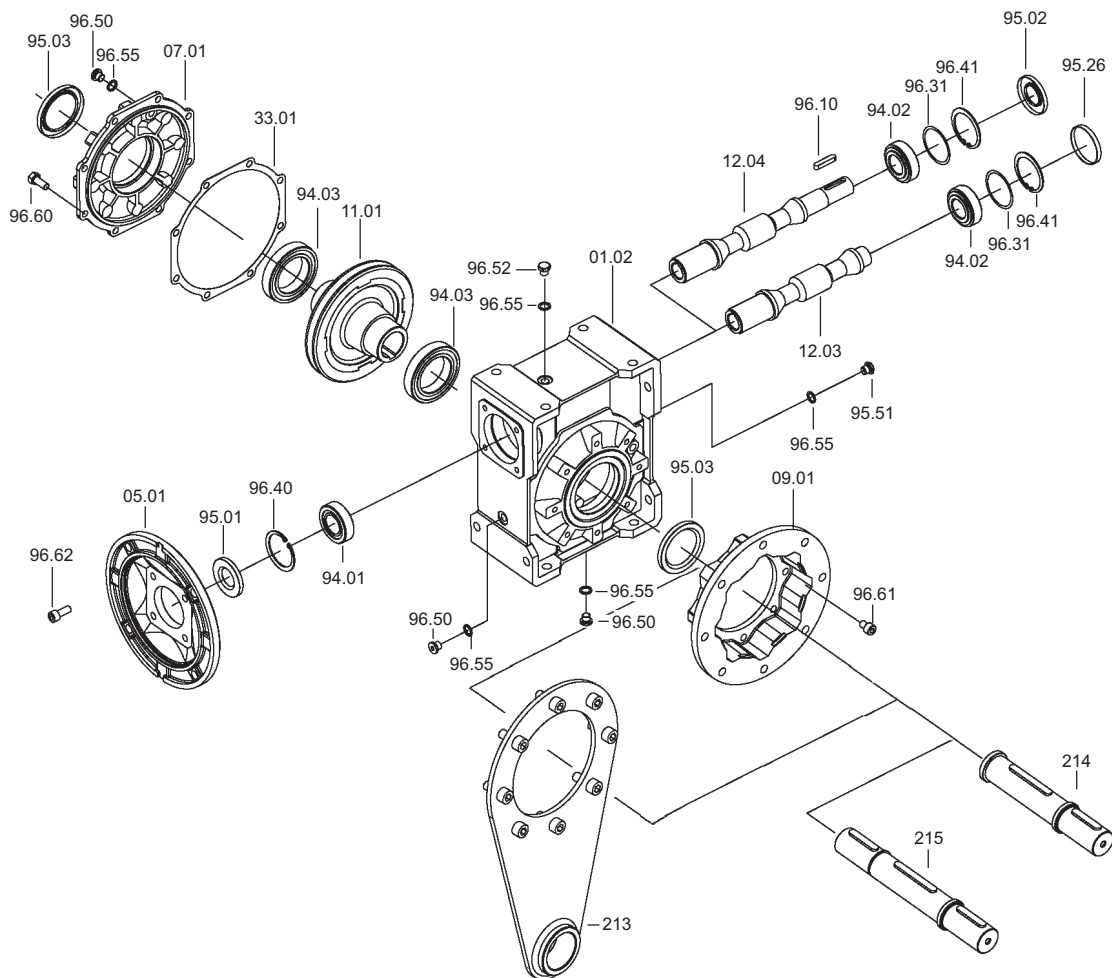
**XA - XF**



X	Cuscinetti / Bearings / Lager		Anelli di tenuta / Oilseals Öldichtungen			Cappellotto / Closed oil seal Geschlossene Öldichtung	
	94.02	94.03	95.01	95.02	95.03	95.25	95.26
<b>30</b>	<b>6000</b> 10x26x8	<b>6005</b> 25x47x12	10/26/7	10/26/7	25/40/7	—	ø 6x7
<b>40</b>	<b>6201</b> 12x32x10	<b>6006</b> 30x55x13	12/32/7	12/32/7	30/47/7	—	ø 32x7
<b>50</b>	<b>6203</b> 17x40x12	<b>6008</b> 40x68x15	17/40/7	17/40/7	40/62/8	—	ø 40x7
<b>63</b>	<b>30204</b> 20x47x15.25	<b>6008</b> 40x68x15	20/47/7	20/47/7	40/62/8	—	ø 47x7
<b>75</b>	<b>30205</b> 25x52x16.25	<b>6010</b> 50x80x16	25/52/7	25/52/7	50/72/8	—	ø 52x7
<b>90</b>	<b>32205</b> 25x52x19.25	<b>6010</b> 50x80x16	25/52/7	25/52/7	50/72/8	ø 35x5	ø 52x7
<b>110</b>	<b>32206B</b> 30x62x21.25	<b>6012</b> 60x95x18	30/62/7	30/62/7	60/85/8	ø 47x7	ø 62x7



# XC



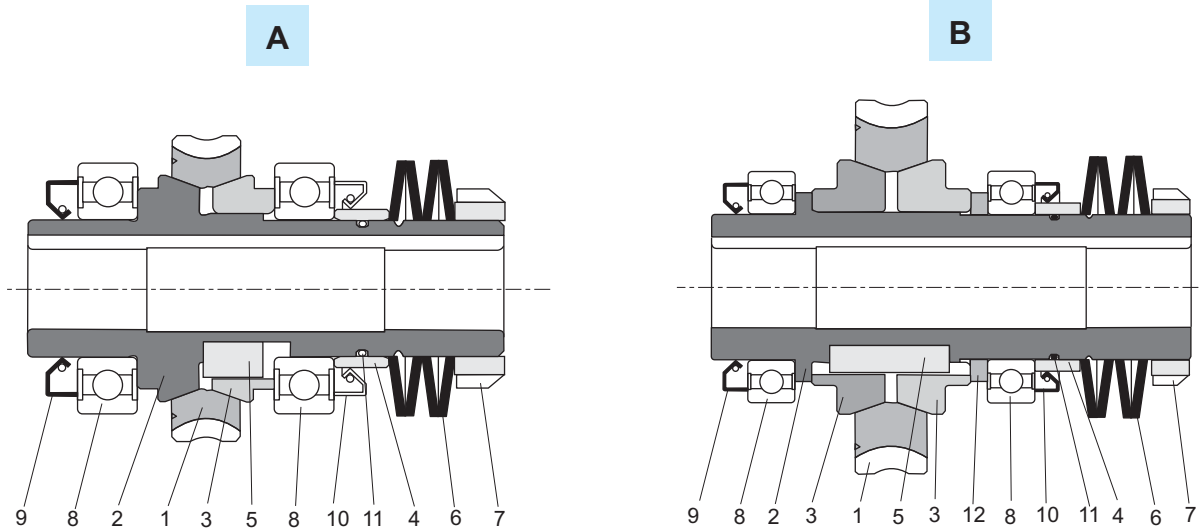
X	IEC	Cuscinetti / Bearings / Lager			Anelli di tenuta / Oilseals Öldichtungen			Cappellotto / Closed oil seal Geschlossene Öldichtung
		94.01	94.02	94.03	95.01	95.02	95.03	95.26
30	56	<b>61804</b> (20x32x7)	<b>6000</b> 10x26x8	<b>6005</b> 25x47x12	20/32/7	10/26/7	25/40/7	ø 26x7
	63	<b>61804</b> (20x32x7)			20/32/7			
40	56	<b>6303</b> (17x47x14)	<b>6201</b> 12x32x10	<b>6006</b> 30x55x13	17/47/7	12/32/7	30/47/7	ø 32x7
	63	<b>6204</b> (20x47x14)			20/47/7			
	71	<b>6005</b> (25x47x12)			25/47/7			
50	63	<b>6204</b> (20x47x14)	<b>6203</b> 17x40x12	<b>6008</b> 40x68x15	20/47/7	17/40/7	40/62/8	ø 40x7
	71	<b>6005</b> (25x47x12)			25/47/7			
	80	<b>6006</b> (30x55x13)			30/55/7			
63	71	<b>30305</b> (25x62x18.25)	<b>30204</b> 20x47x15.25	<b>6008</b> 40x68x15	25/62/7	20/47/7	40/62/8	ø 47x7
	80	<b>30206</b> (30x62x17.25)			30/62/7			
	90	<b>32007</b> (35x62x18)			35/62/7			
75	80	<b>30206</b> (30x62x17.25)	<b>30205</b> 25x52x16.25	<b>6010</b> 50x80x16	30/62/7	25/52/7	50/72/8	ø 52x7
	90	<b>32007</b> (35x62x18)			35/62/7			
	100/112	<b>32008</b> (40x68x19)			40/68/10			
90	80	<b>30206</b> (30x62x17.25)	<b>32205B</b> 25x52x19.25	<b>6010</b> 50x80x16	30/62/7	25/52/7	50/72/8	ø 52x7
	90	<b>32007</b> (35x62x18)			35/62/7			
	100/112	<b>32008</b> (40x68x19)			40/68/10			
110	90	<b>30208</b> (40x80x19.75)	<b>32206B</b> 30x62x21.25	<b>6012</b> 60x95x18	40/80/10	30/62/7	60/85/8	ø 62x7
	100/112	<b>30208</b> (40x80x19.75)			40/80/10			
	132	<b>32010</b> (50x80x20)			50/80/10			

## X - H - K - KX - XX - KK

Limitatore di coppia cavo passante

Torque limiter with through hollow shaft

Drehmomentbegrenzer mit durchgehende Hohlwelle



A			B			
<b>X - H - K</b>						
30 (LD - LS)	40 (LD - LS)	50 (LD - LS)	63 (LD - LS)	75 (LD - LS)	90 (LD - LS)	110 (LD - LS)
<b>KX - XX - KK</b>						
30/30 (L1-LD-LS) 30/40 (L1) 30/50 (L1) 30/63 (L1)	30/40 (LD - LS) 40/63 (L1) 40/75 (L1) 40/90 (L1)	30/50 (LD - LS) 50/75 (L1) 50/90 (L1) 50/110 (L1)	30/63 (LD - LS) 40/63 (LD - LS) 63/110 (L1)	40/75 (LD - LS) 50/75 (LD - LS)	40/90 (LD - LS) 50/90 (LD - LS)	50/110 (LD - LS) 63/110 (LD - LS)

1	Corona in bronzo / <i>Bronze wheel</i> / Bronzerad /					
2	Albero cavo limitatore / <i>Hollow shaft torque limiter</i> / Rutschkupplungs-Hohlwelle					
3	Anello di frizione / <i>Friction ring</i> / Reibring					
4	Distanziale molle / <i>Washers' distance ring</i> / Federdistanzring					
5	Linguetta / <i>key</i> / Passfeder					
	8x7x10AB	10x8x13AB	12x8x18AB	12x8x40A	16x10x40A	16x10x50A 18x11x60A
6	Molle a tazza / <i>Belleville washers</i> / Tellerfeder					
7	Ghiera / <i>Metal ring</i> / Metall Ring					
8	6005 25x47x12	6006 30x55x13	6008 40x68x15	6008 40x68x15	6010 50x80x16	6010 50x80x16 6012 60x95x18
9	25x40x7	30x47x7	40x62x8	40x62x8	50x72x8	50x72x8 60x85x8
10	30x40x5	35x47x7	48x62x8	48x62x8	58x72x8	58x72x8 70x85x8
11	OR2087 21.95x1.78	OR2106 26.7x1.78	OR 36.27x1.78	OR 36.27x1.78	OR2187 47.37x1.78	OR2187 47.37x1.78 OR2225 56.87x1.78
12	—			Distanziale / <i>Spacer</i> / Abstandshülse		