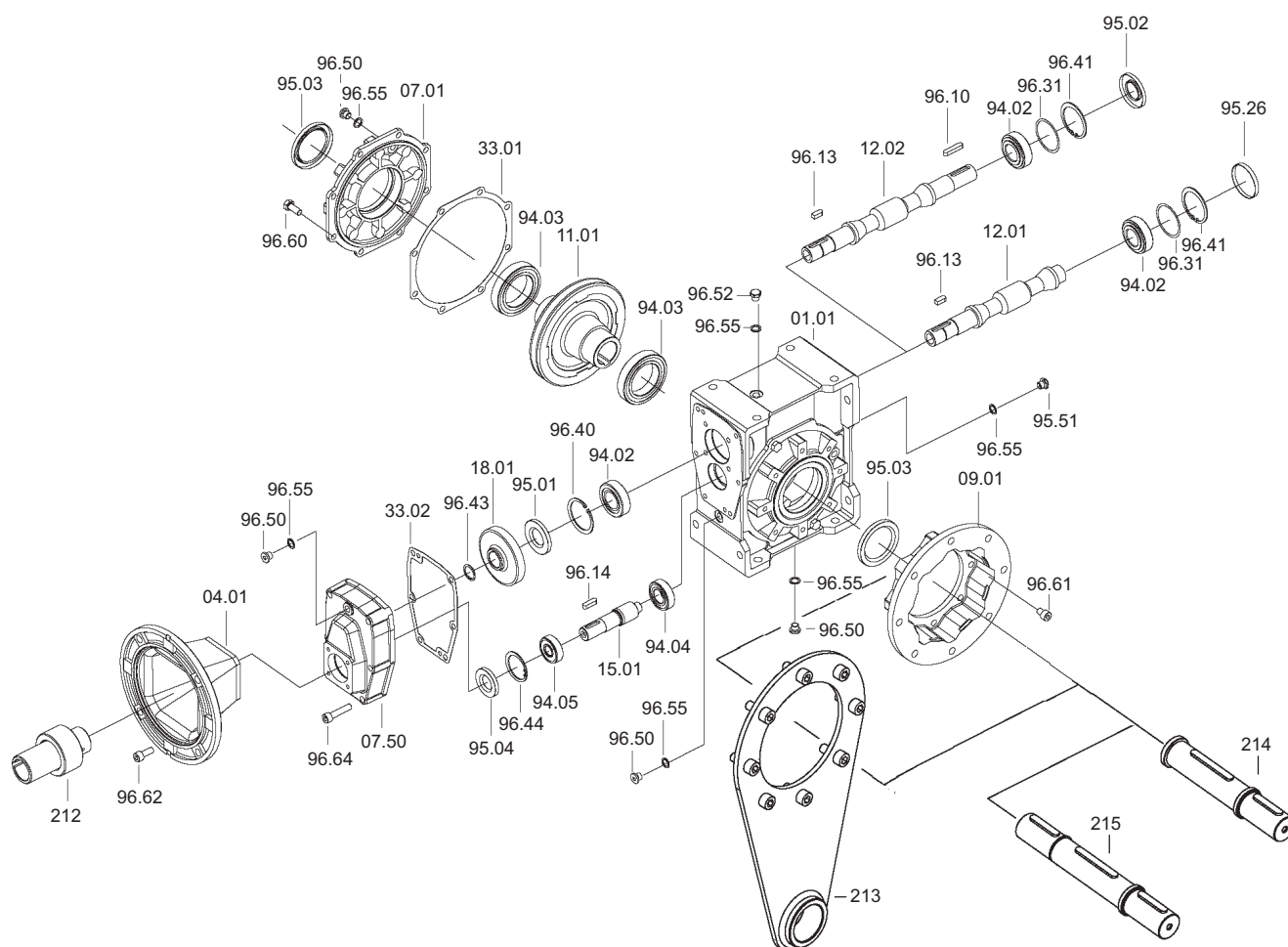


## HA - HF



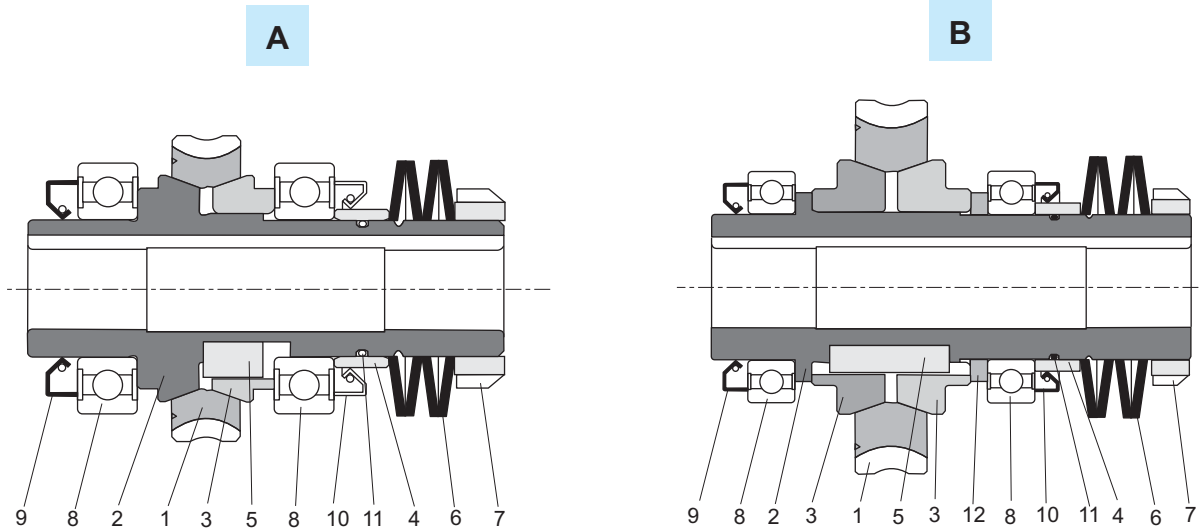
H	Cuscinetti / Bearings / Lager				Anelli di tenuta / Oilseals Öldichtungen				Cappello / Closed oil seal Geschlossene Öldichtung
	94.02	94.03	94.04	94.05	95.01	95.02	95.03	95.04	95.26
<b>40</b>	<b>6201</b> 12x32x10	<b>6006</b> 30x55x13	<b>6000</b> 10x26x8	<b>6000</b> 10x26x8	12/32/7	12/32/7	30/47/7	10/26/7	ø 32x7
<b>50</b>	<b>6203</b> 17x40x12	<b>6008</b> 40x68x15	<b>6200</b> 10x30x9	<b>6201</b> 12x32x10	17/40/7	17/40/7	40/62/8	12/32/7	ø 40x7
<b>63</b>	<b>30204</b> 20x47x15.25	<b>6008</b> 40x68x15	<b>6201</b> 12x32x10	<b>6203</b> 17x40x12	20/47/7	20/47/7	40/62/8	17/40/7	ø 47x7
<b>75</b>	<b>30205</b> 25x52x16.25	<b>6010</b> 50x80x16	<b>6202</b> 15x35x11	<b>6204</b> 20x47x14	25/52/7	25/52/7	50/72/8	20/47/7	ø 52x7
<b>90</b>	<b>32205</b> 25x52x19.25	<b>6010</b> 50x80x16	<b>6202</b> 15x35x11	<b>6204</b> 20x47x14	25/52/7	25/52/7	50/72/8	20/47/7	ø 52x7
<b>110</b>	<b>32206B</b> 30x62x21.25	<b>6012</b> 60x95x18	<b>6303</b> 17x47x14	<b>6205</b> 25x52x15	30/62/7	30/62/7	60/85/8	25/52/7	ø 62x7

## X - H - K - KX - XX - KK

Limitatore di coppia cavo passante

Torque limiter with through hollow shaft

Drehmomentbegrenzer mit durchgehende Hohlwelle



A			B			
<b>X - H - K</b>						
30 (LD - LS)	40 (LD - LS)	50 (LD - LS)	63 (LD - LS)	75 (LD - LS)	90 (LD - LS)	110 (LD - LS)
<b>KX - XX - KK</b>						
30/30 (L1-LD-LS) 30/40 (L1) 30/50 (L1) 30/63 (L1)	30/40 (LD - LS) 40/63 (L1) 40/75 (L1) 40/90 (L1)	30/50 (LD - LS) 50/75 (L1) 50/90 (L1) 50/110 (L1)	30/63 (LD - LS) 40/63 (LD - LS) 63/110 (L1)	40/75 (LD - LS) 50/75 (LD - LS)	40/90 (LD - LS) 50/90 (LD - LS)	50/110 (LD - LS) 63/110 (LD - LS)

1	Corona in bronzo / <i>Bronze wheel</i> / Bronzerad /					
2	Albero cavo limitatore / <i>Hollow shaft torque limiter</i> / Rutschkupplungs-Hohlwelle					
3	Anello di frizione / <i>Friction ring</i> / Reibring					
4	Distanziale molle / <i>Washers' distance ring</i> / Federdistanzring					
5	Linguetta / <i>key</i> / Passfeder					
	8x7x10AB	10x8x13AB	12x8x18AB	12x8x40A	16x10x40A	16x10x50A 18x11x60A
6	Molle a tazza / <i>Belleville washers</i> / Tellerfeder					
7	Ghiera / <i>Metal ring</i> / Metall Ring					
8	6005 25x47x12	6006 30x55x13	6008 40x68x15	6008 40x68x15	6010 50x80x16	6010 50x80x16 6012 60x95x18
9	25x40x7	30x47x7	40x62x8	40x62x8	50x72x8	50x72x8 60x85x8
10	30x40x5	35x47x7	48x62x8	48x62x8	58x72x8	58x72x8 70x85x8
11	OR2087 21.95x1.78	OR2106 26.7x1.78	OR 36.27x1.78	OR 36.27x1.78	OR2187 47.37x1.78	OR2187 47.37x1.78 OR2225 56.87x1.78
12	—			Distanziale / <i>Spacer</i> / Abstandshülse		