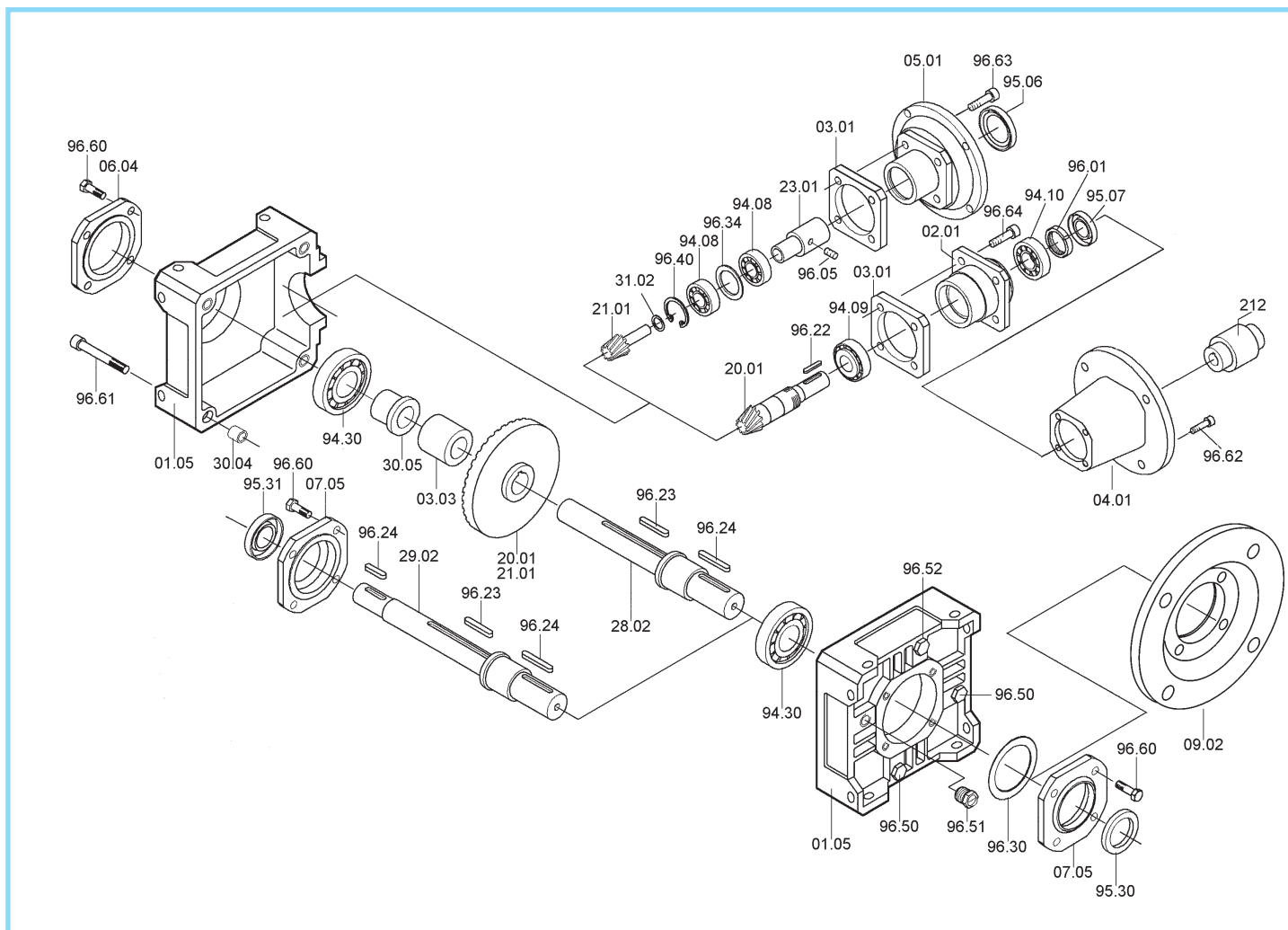
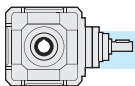


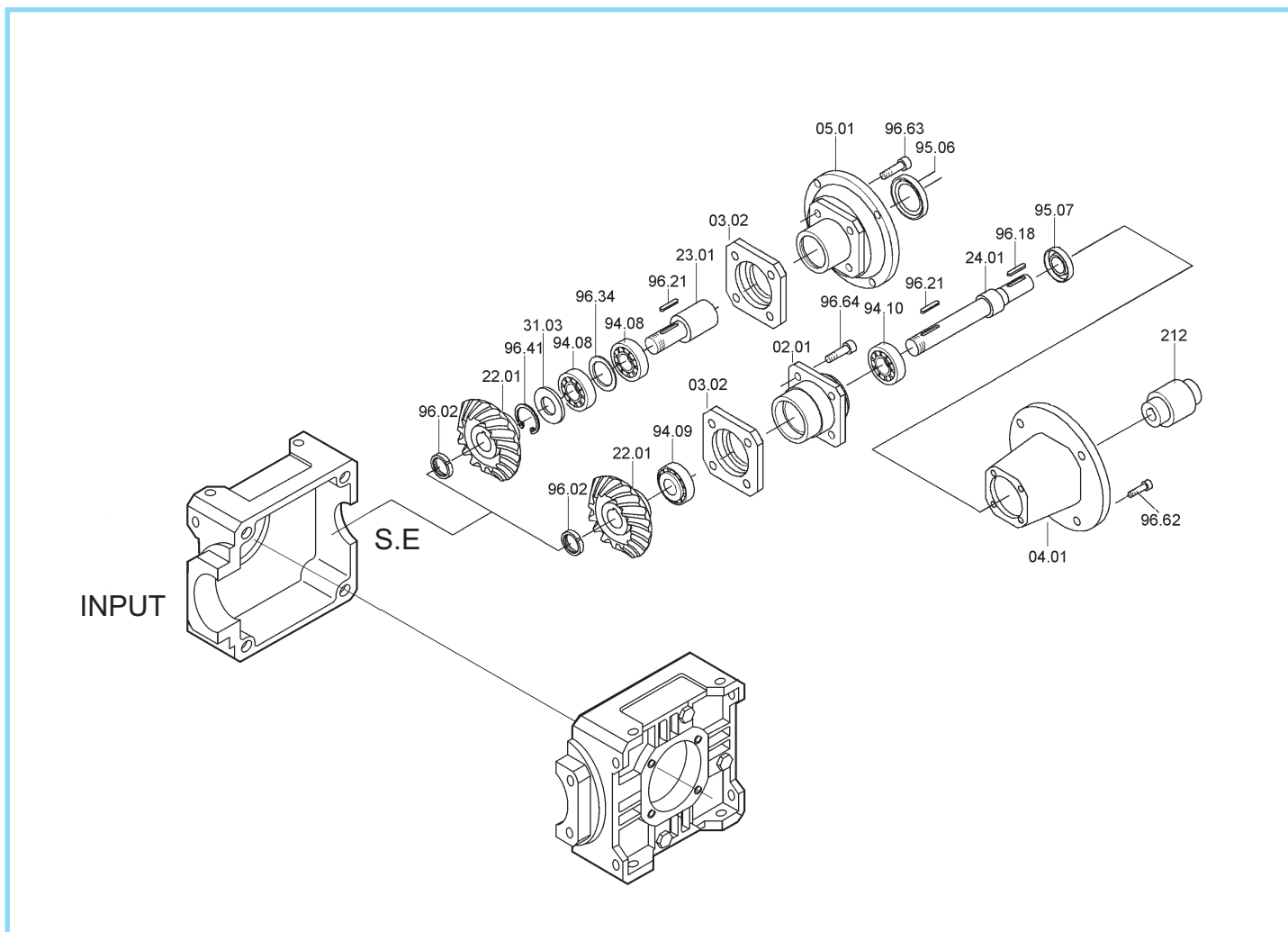
RA - RC - RF (in > 1)



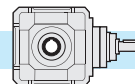
RA - RC - RF in > 1	Cuscinetti / Bearings / Lager				Anelli di tenuta / Oilseals / Ödichtungen				
	RA - RC - RF	RA - RF		RC	RA - RC - RF		RC		RA - RF
	94.30	94.09	94.10	94.08	95.30	95.31	IEC	95.06	95.07
19	6305 25/62/17	3203 17/40/13.25		7203 17/40/12	25/47/7	17/47/7	63	25/52/7	15/40/10
							71	30/52/7	
							80	35/52/7	
							90	37/52/8	
24	6306 30/72/19	3205 25/47/15		7205 25/52/15	30/52/7	20/52/7	71 - 80	35/62/7	20/47/7
							90	40/62/7	
							100 - 112	45/62/8	
28	6307 35/80/21	3206 30/55/17		7206 30/62/16	35/62/7	25/62/10	80 - 90	40/72/7	25/58/10
							100 - 112	45/72/8	
							132	55/72/10	
38	6309 45/100/25	3207 35/62/18		7207 35/72/17	45/72/8	30/72/10	80 - 90	45/80/10	30/62/7
							100 - 112	45/80/10	
							132	55/80/10	
							160	60/80/8	
48	6311 55/120/29	3209 45/75/20		7209 45/85/19	55/90/10	40/90/8	100 - 112	55/100/13	40/80/10
							132 - 160	60/100/10	
							180	65/100/10	
							200	75/100/10	



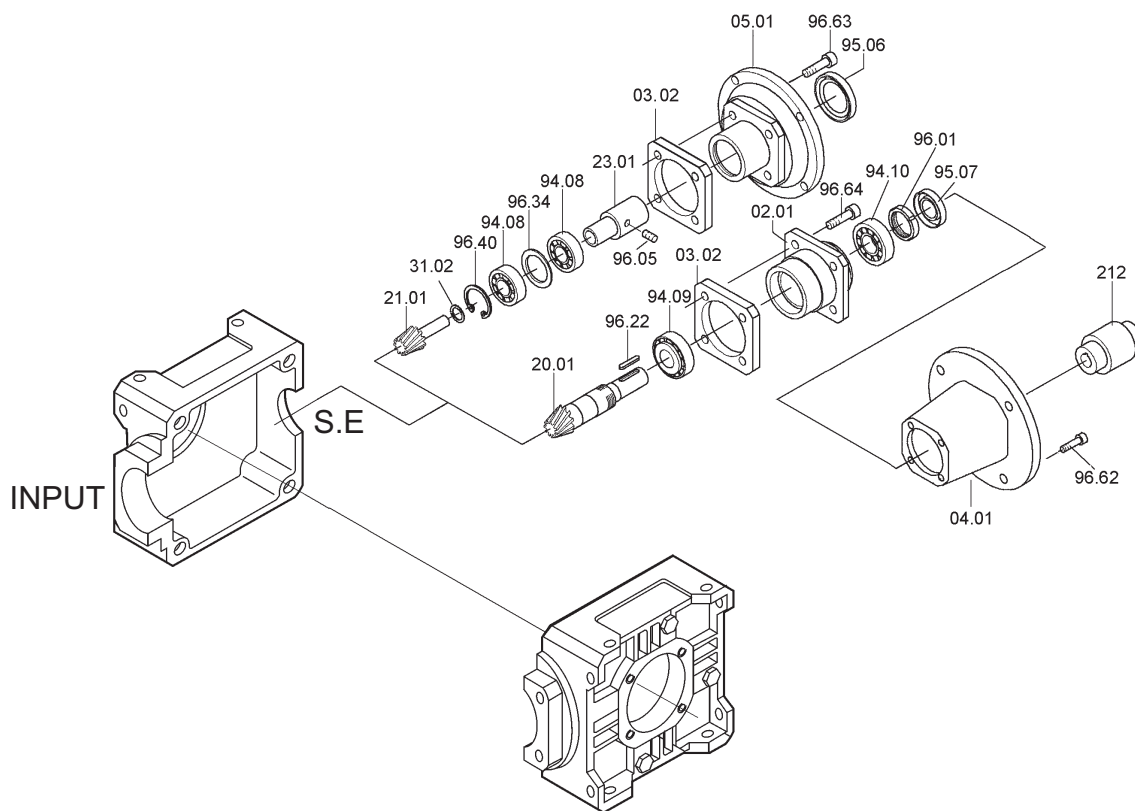
RA - RC - RF (in = 1) s.e.



RA - RC - RF in = 1:1 S.E	Cuscinetti / Bearings / Lager		Anelli di tenuta / Oilseals / Öldichtungen		
	RA - RF	RC	RC		RA - RF
	94.10 - 94.09	94.08	IEC	95.06	95.07
19	30203 17/40/13.25	7203 17/40/12	63	25/52/7	20/40/7
			71	30/52/7	
			80	35/52/7	
			90	37/52/8	
24	32005 25/47/15	7205 25/52/15	71 - 80	35/62/7	30/47/7
			90	40/62/7	
			100 - 112	45/62/8	
28	32006 30/55/17	7206 30/62/16	80 - 90	40/72/7	35/58/10
			100 - 112	45/72/8	
			132	55/72/10	
38	32007 35/62/18	7207 35/72/17	80 - 90	45/80/10	40/62/7
			100 - 112	45/80/10	
			132	55/80/10	
			160	60/80/8	
48	32009 45/75/20	7209 45/85/19	180	65/80/8	55/80/8
			100 - 112	55/100/13	
			132 - 160	60/100/10	
			180	65/100/10	
			200	75/100/10	



RA - RC - RF (in > 1) s.e.



RA - RC - RF in > 1 S.E	Cuscinetti / Bearings / Lager		Anelli di tenuta / Oilseals / Öldichtungen		
	RA - RF	RC	RC		RA - RF
	94.09 - 94.10	94.08	IEC	95.06	95.07
19	30203 17/40/13.25	7203 17/40/12	63	25/52/7	15/40/10
			71	30/52/7	
			80	35/52/7	
			90	37/52/8	
24	32005 25/47/15	7205 25/52/15	71 - 80	35/62/7	20/47/7
			90	40/62/7	
			100 - 112	45/62/8	
28	32006 30/55/17	7206 30/62/16	80 - 90	40/72/7	25/58/10
			100 - 121	45/72/8	
			132	55/72/10	
			80 - 90	45/80/10	
38	32007 35/62/18	7207 35/72/17	100 - 112	45/80/10	30/62/7
			132	55/80/10	
			160	60/80/8	
			180	65/80/8	
			100 - 112	55/100/13	
48	32009 45/75/20	7209 45/85/19	132 - 160	60/100/10	40/80/10
			180	65/100/10	
			200	75/100/10	